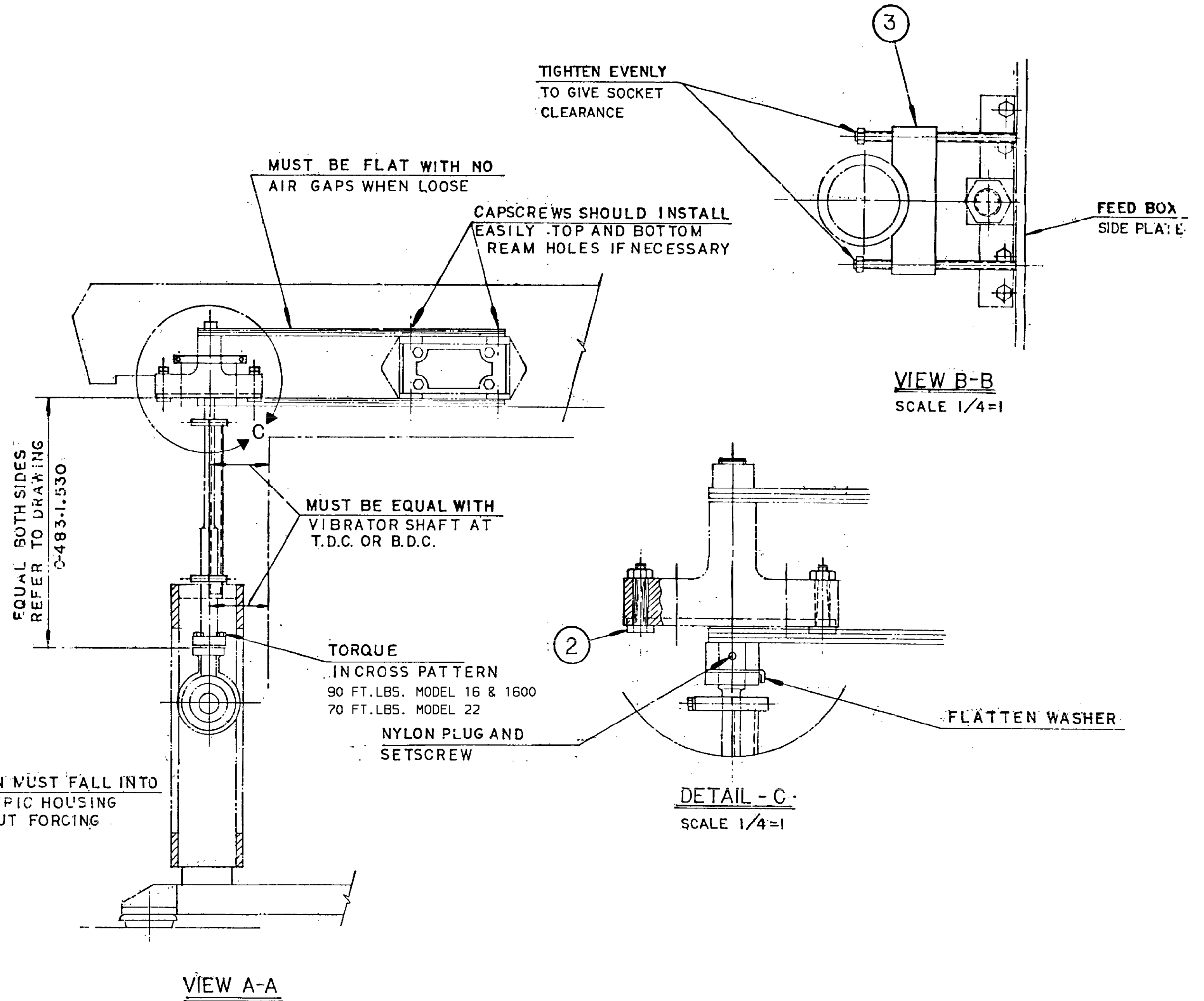
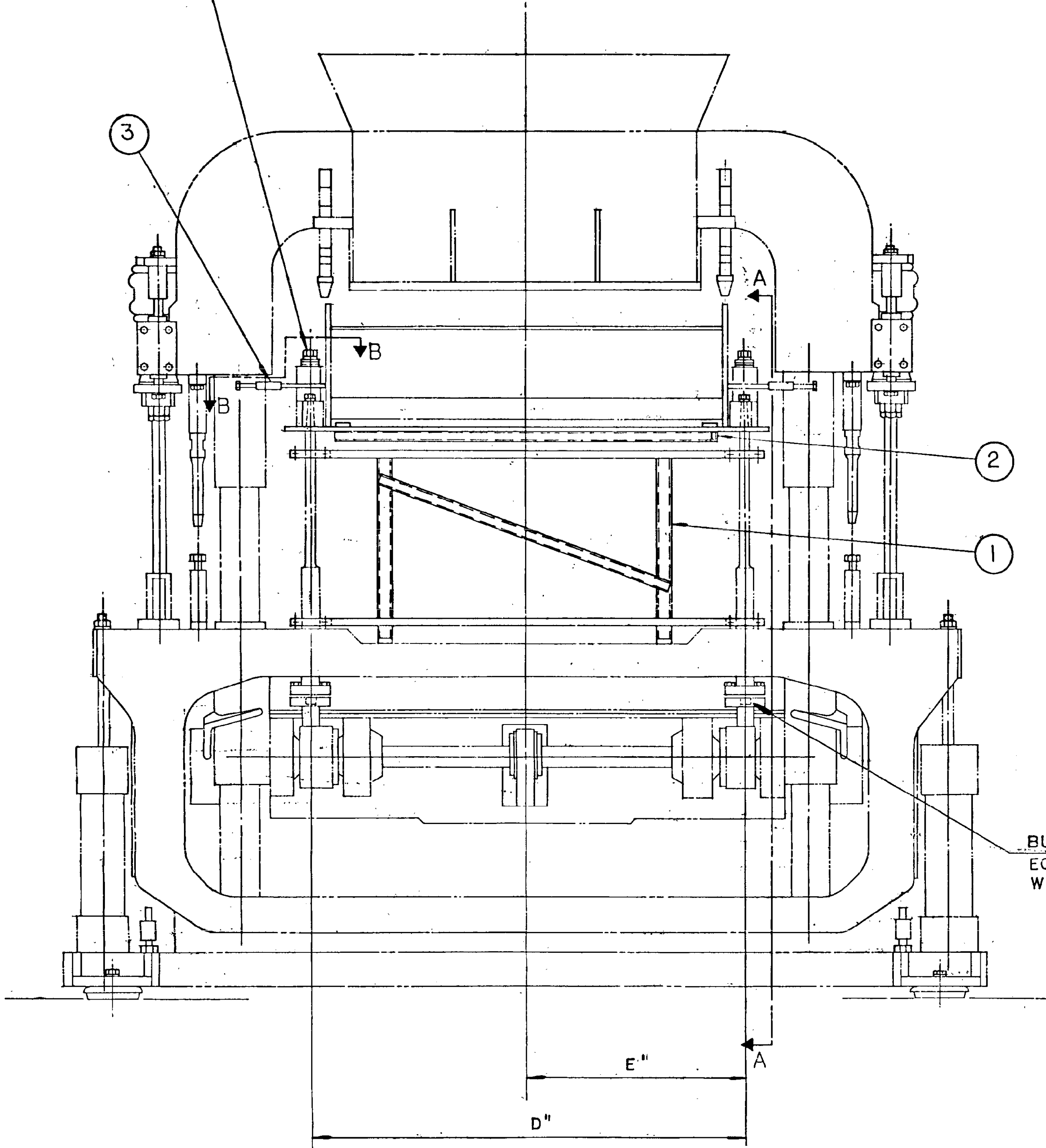


USE SOCKET TORQUE WRENCH & TORQUE TO 1650 FT.LBS. MODEL 16 & 1600  
1250 FT.LBS. MODEL 22



BLOCK MACHINE MODEL	D''	E''
22	25.875	12.937
16	32.250	16.125
1600	44.250	22.125
16W	36.250	18.125

- ① SETUP FIXTURE SHAKER SHAFT
- ② SETUP FIXTURE MOLD SUPPORT (DIÉ SUPPORT)
- ③ PUSHER JIG ASSY (USED ON MODEL 16 & 1600 ONLY)

SHEET 2 & 3 ARE "A" SIZE

UNLESS OTHERWISE SPECIFIED, REMOVE ALL BURRS AND SHARP CORNERS DO NOT SCALE THIS DRAWING.

TOLERANCE FOR MACHINE DIMENSIONS UNLESS OTHERWISE SPECIFIED

ANGULAR	DECIMAL	FRACTIONAL
	±.010	

**Columbia** MACHINE, INC.  
VANCOUVER, WASHINGTON

JIG INSTALLATION  
BLK. MACH. 22 16 & 1600

DRAWN BY: LAP-LAI DATE: 3-12-91  
APPROVED BY: SCALE:  
REV: 1 DATE: 11-13-91

D.484-2-566